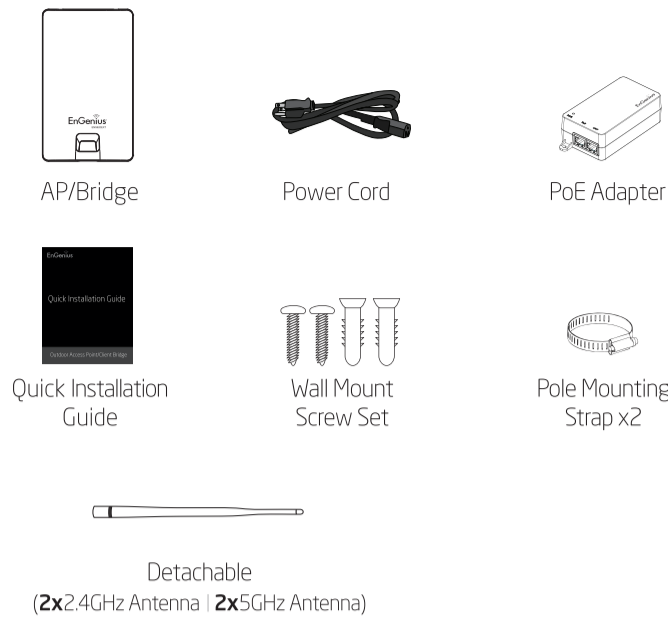


# Quick Installation Guide

ENS620EXT  
Version 1.0

## Outdoor Access Point/Client Bridge

### Package Contents



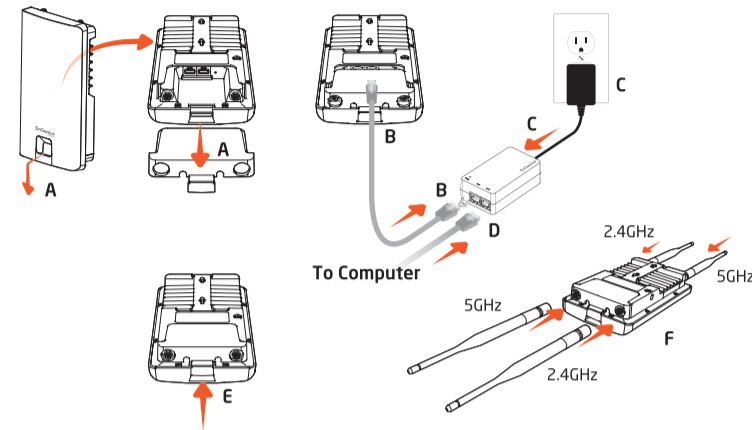
### Minimum Requirements

- Broadband Internet Service (Cable or DSL Modem)
- Internet Browser (Internet Explorer, Safari, Firefox, Chrome, Edge)

## 1 Connecting the AP/Bridge

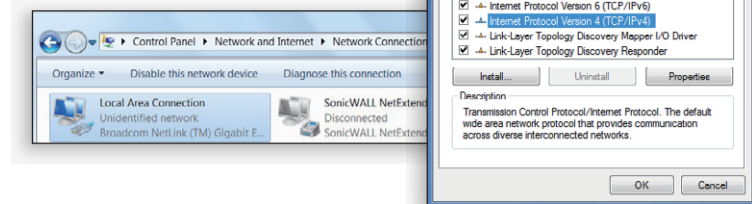
- Remove the rear bottom panel.
- Connect one end of the Ethernet cable into the LAN(PoE) port of the AP/Bridge and the other end to the PoE Port on the PoE Adapter.
- Connect the Power cord with the PoE Adapter and plug the other end into an electrical outlet.
- Connect the second Ethernet cable into the LAN port of the PoE Adapter and the other end to the Ethernet Port on the computer.
- Place the panel removed from step A back into the device.
- Screw on the provided antennas to the top of devices.

**Note:** The AP/Bridge should ONLY be powered via Ethernet cable connected to the included PoE Adapter.



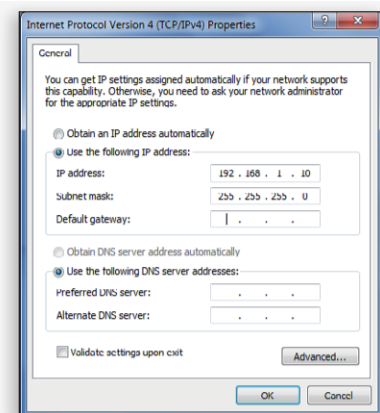
## 2 IP Address Configuration

- Once your computer is on, ensure that your TCP/IP is set to **On** or **Enabled**. Open **Network Connections** and then click **Local Area Connection**. Select **Internet Protocol Version 4 (TCP/IPv4)**.



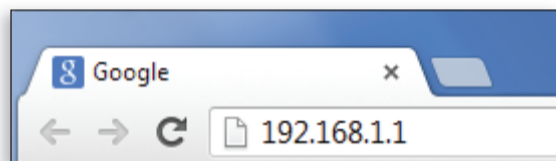
- If your Computer is already on a network, ensure that you have set it to a **Static IP Address** on the interface.

(Example: 192.168.1.10 and the Subnet Mask address as 255.255.255.0.

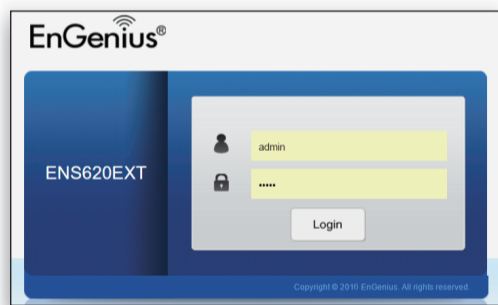


## 3 AP/Bridge Setup

- To configure the AP/Bridge, open a web browser. In the address bar of the web browser, enter **192.168.1.1** and hit enter.

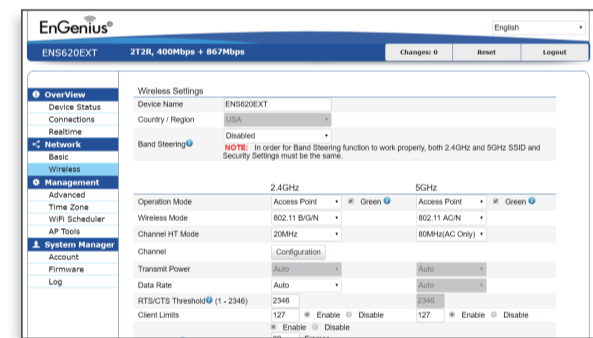


- A login screen will appear. By default, the username of the AP/Bridge is **admin** and the password is **admin**. Enter the current username and password of the AP/Bridge and then click **Login**.



## 4 Switching Modes

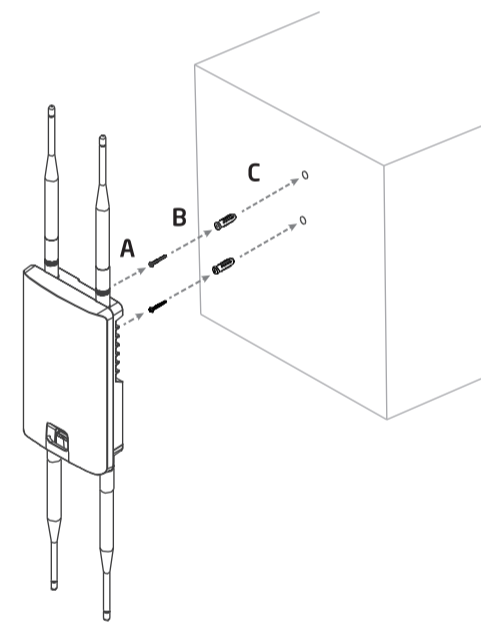
- The device can operate in the following modes: Access Point, Client Bridge, WDS AP, WDS Bridge, and WDS Station.
- Click on the **Operating Mode** link under the **System Properties**.



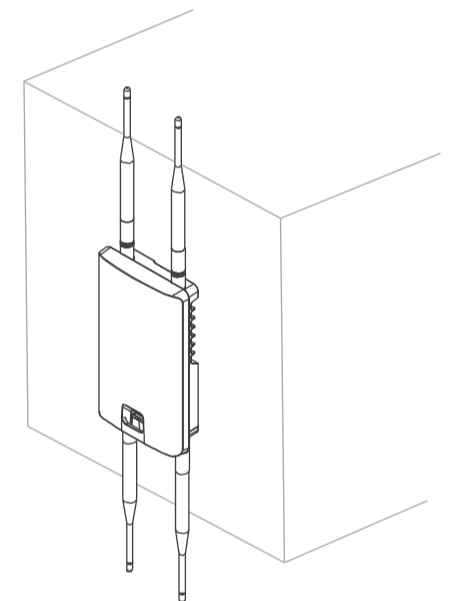
## 5 Mounting AP/Bridge

### Wall Mounting the Access Point

- Determine where the Access Point to be placed and mark location on the surface for the two mounting holes. Use the appropriate drill bit to drill two 8.1mm diameter and 26mm depth holes in the markings and hammer the bolts into the openings.
- Screw the anchors into the holes until they are flush with the wall.
- Screw the included screws into the anchors.



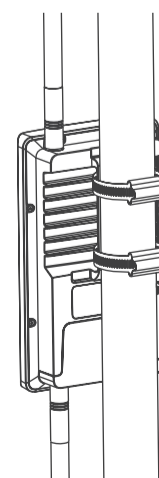
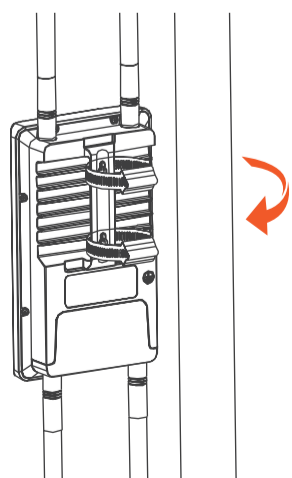
- Place the Access Point against wall with the mounting screw heads.



## Pole Mounting the Access Point

- Thread the open end of the Pole Strap through the two tabs on the Pole Mount Bracket.

- Lock and tighten Pole Strap to secure Pole Mount Bracket to the pole.



## Technical Support

Country of Purchase	Service Center	Service Information
<b>North America</b> <a href="http://www.ingeniuscanada.com">www.ingeniuscanada.com</a>	Canada	<a href="mailto:rma@ingeniuscanada.com">rma@ingeniuscanada.com</a> Toll Free: (+1) 888 397 2788 Local: (+1) 905 940 8181
	Los Angeles, USA	<a href="mailto:support@ingeniustech.com">support@ingeniustech.com</a> Toll Free: (+1) 888 735 7888 Local: (+1) 714 432 8668
<b>Central &amp; South America</b> <a href="http://es.ingeniustech.com">es.ingeniustech.com</a> <a href="http://pg.ingeniustech.com">pg.ingeniustech.com</a>	Miami, USA	<a href="mailto:miamisupport@ingeniustech.com">miamisupport@ingeniustech.com</a> Miami: (+1) 305 887 7378 Sao Paulo, Brazil: (+55) 11 3957 0303 D.F. Mexico: (+52) 55 1163 8894
	Netherlands	<a href="mailto:support@ingeniusnetworks.eu">support@ingeniusnetworks.eu</a> (+31) 40 8200 887
<b>Africa</b> <b>CIS</b> <b>Middle East</b> <b>Russia</b> <a href="http://www.ingenius-me.com">www.ingenius-me.com</a>	Dubai, UAE	<a href="mailto:support@ingenius-me.com">support@ingenius-me.com</a> Toll Free: U.A.E.: 800-EnGenius 800-364-364-87 General: (+971) 4 357 5599
	Singapore	<a href="http://www.ingeniustech.com.sg/e_warranty_form">www.ingeniustech.com.sg/e_warranty_form</a> <a href="mailto:techsupport@ingeniustech.com.sg">techsupport@ingeniustech.com.sg</a> Toll Free: Singapore: 1800 364 3648
<b>Others</b> <a href="http://www.ingeniusnetworks.com">www.ingeniusnetworks.com</a>	Taiwan, R.O.C.	<a href="mailto:technology@sena.com">technology@sena.com</a>

## Notes